



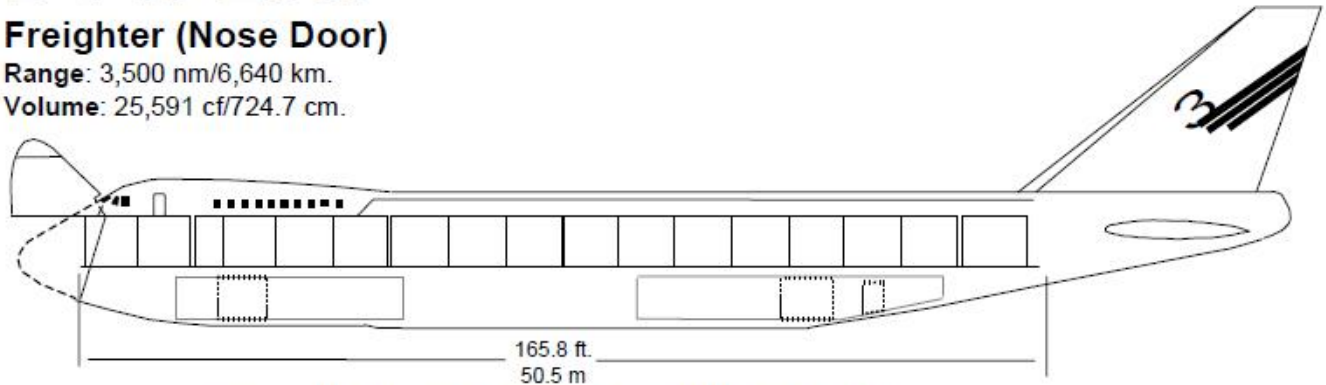
Airline Cargo Services
 600 Bayview Ave., Ste 305, Inwood, NY 11096
 www.airlinecargo.com
 email: info@airlinecargo.com
 516-371-1545

B-747-200F

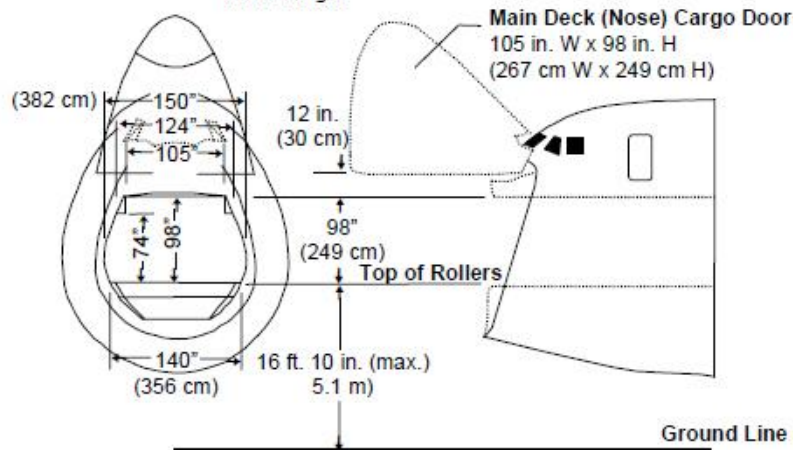
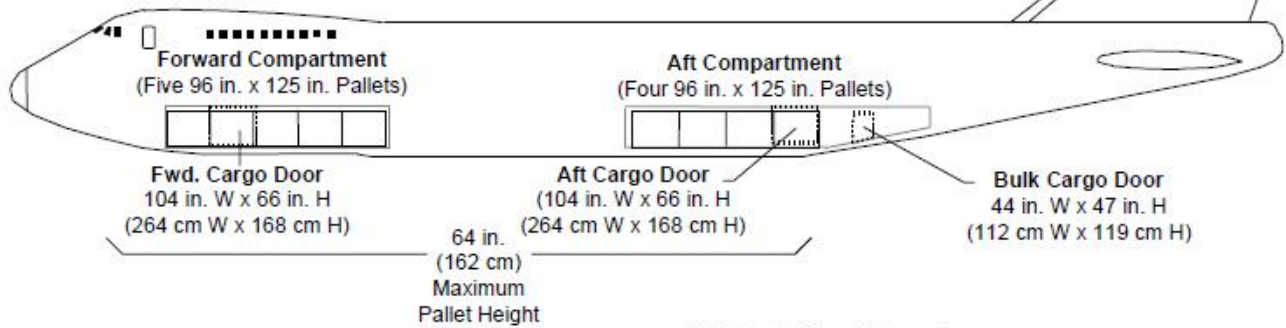
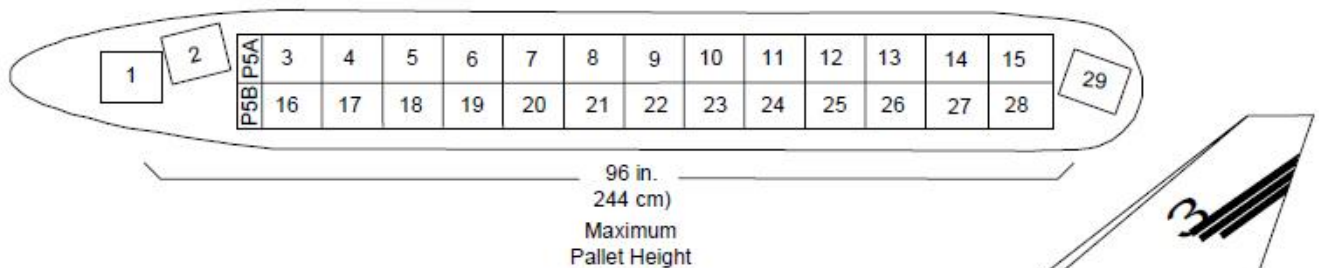
Freighter (Nose Door)

Range: 3,500 nm/6,640 km.

Volume: 25,591 cf/724.7 cm.



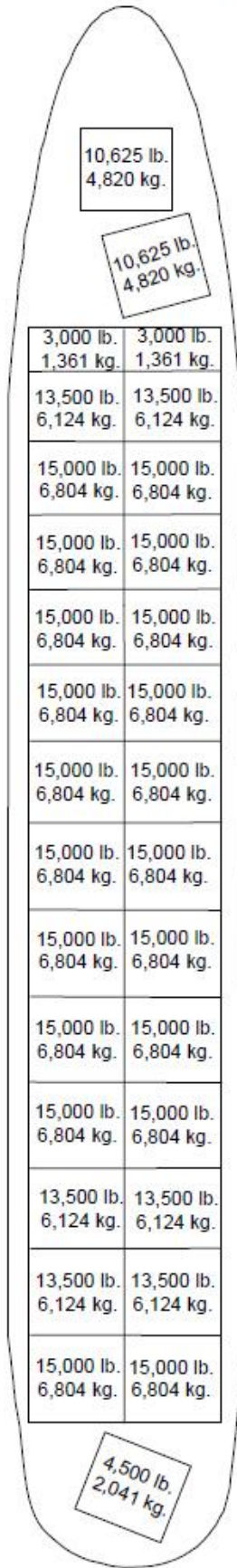
Main Deck 29 Pallets (96 in. x 125 in.) and 2 Half Pallets (96 in. x 53 in.)





Airline Cargo Services
 600 Bayview Ave., Ste 305, Inwood, NY 11096
 www.airlinecargo.com
 email: info@airlinecargo.com
 516-371-1545

Pallet Position Max, Weights*



Lower Deck Max. Weights*
 (96 in. x 125 in. Pallets)

11,100 lb. 5,035 kg.
11,100 lb. 5,035 kg.
11,100 lb. 5,035 kg.
11,100 lb. 5,035 kg.
11,100 lb. 5,035 kg.

11,100 lb. 5,035 kg.
11,100 lb. 5,035 kg.
11,100 lb. 5,035 kg.
11,100 lb. 5,035 kg.
14,800 lb. 6,750 kg. (bulk)

B-747-200F

Freighter (Nose Door)

Max. Gross Payload: 245,700 lbs/109,000 kgs.

Nose Door Max. Piece Size
 (Length of Main Deck
 Apx. 175 ft./53.3 m)

Height Inches	Width Inches
Upright Loading	
96	106
90	108
80	113
70	132
60	140
50	143
40	145
30	147
20	148
Tilted Loading	
12	148
8	151
4	154

Lower Deck Max. Piece Size
 Forward & Rear Compartments

Height Inches	Width in Inches											
	10	20	30	40	50	60	70	80	90	100	104	
Length in Inches												
64	280	245	220	195	170	155	125	125	125	125	125	
60	330	285	240	220	195	175	160	145	135	125	125	
55	385	325	280	245	215	195	175	155	145	135	135	
50	440	360	305	265	230	210	185	165	150	145	140	
45	440	430	360	300	260	225	200	170	155	150	140	
40	440	440	410	345	290	255	220	195	175	160	155	
35	440	440	440	380	330	270	235	205	180	160	155	
30	440	440	440	420	345	285	245	210	190	165	160	
25	440	440	440	440	360	300	255	220	190	165	160	
20	440	440	440	440	385	315	265	225	195	170	160	
15	440	440	440	440	415	330	280	235	200	175	160	
10	440	440	440	440	440	360	295	245	210	180	165	
5	440	440	440	440	440	440	320	265	225	185	170	

Aft Bulk Compartments

Height Inches	Width in Inches											
	4	8	12	16	20	24	28	32	36	40	44	
Length in Inches												
47	140	140	140	132	126	126	126	126	126	126	126	
43	160	160	160	160	150	150	145	135	135	130	130	
39	185	185	185	165	155	150	145	140	135	135	130	
35	205	205	205	180	165	155	150	145	140	135	130	
32	210	210	210	205	185	175	160	155	150	145	130	
28	225	225	225	225	210	175	165	155	150	145	130	
24	235	235	235	235	210	175	165	155	150	145	130	
4-19	235	235	235	235	235	225	205	175	165	155	150	

*Subject to weight and balance limitations